

Kinetico 2060s

Non-Electric, High Performance
Water Conditioning System

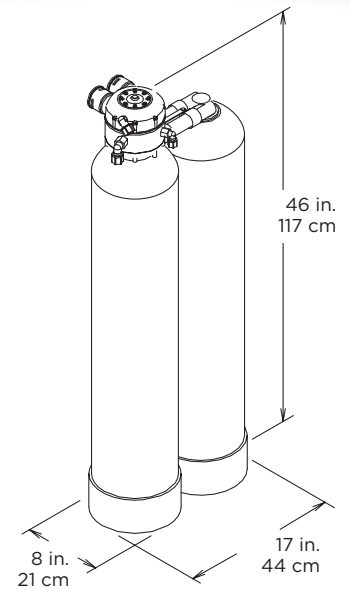


Conditioned Water 24 Hours a Day, Every Day
Simple, Reliable and Economical Operation
Certified Performance
Installation and Service by Trained Water
Treatment Professionals

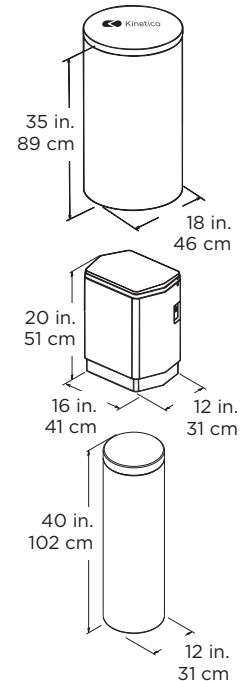
What Makes The Kinetico 2060s Different?

1. **Non-Electric Operation.** Reliable. No timers or computers to set, adjust, repair or replace.
2. **Metered, Demand Service.** Unlimited supply of clean, soft water. Eliminates guesswork, water and regenerant waste, and hard water breakthrough.
3. **Twin Tank System.** Unlimited supply of clean, conditioned water. Enables system to regenerate with clean, conditioned water.
4. **High Flow Rate.** System keeps up with the conditioned water needs of today's demanding households.
5. **Large Porting Size.** Perfectly suited for larger plumbing found in many homes. Up to 1 1/2 inch.
6. **Efficient Hardness Removal.** Assures consistent and continuous clean, soft water. Saves money on soaps and cleaners. Protects plumbing and appliances.
7. **Effective Iron Removal.** Removes soluble iron* from water.
8. **Fresh Resin Zone.** Enhances system cleaning and adds a final polish to water. Maintains top performance.
9. **High Quality Resin.** Long life, high capacity to assure quality water.
10. **Efficient Use of Water and Regenerant.** Low water consumption. Less money spent on regenerant.
11. **Corrosion-Resistant Valve and Tanks.** Long lasting. Can endure harsh environments.
12. **Soft Water, Countercurrent Regeneration.** Increases product efficiency and water quality.
13. **Automatic Operation.** Just add regenerant.
14. **Outstanding Warranty.** Dependability, peace of mind.
15. **Third Party Certification.** Assures performance and integrity.

**Iron removal capabilities are dependent on the type and concentration of iron as well as your water's other conditions.*



Brine Tank Options:



Independent Laboratory Certification

Kinetico Water Softeners are Tested and Certified by WQA against NSF/ANSI 44, NSF/ANSI 372, and CSA Standard B483.1 for specific performance claims as verified and substantiated by test data.



C USA

